

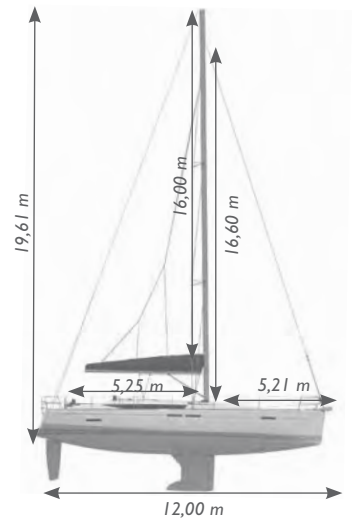
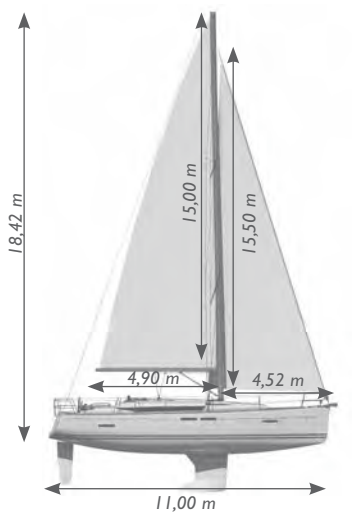
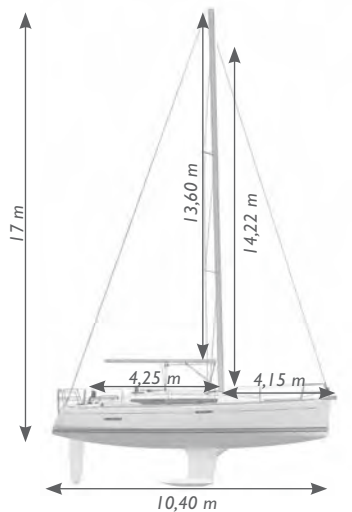
## Sun Odyssey 379



## Sun Odyssey 409



## Sun Odyssey 439



Certification conform with CE regulation.

**SO 379 SO 409 SO 439**

<b>SPECIFICATIONS</b>			
<b>Overall length</b>	11,34 m	12,34 m	13,34 m
<b>Hull length</b>	10,98 m	11,99 m	12,99 m
<b>Waterline length</b>	10,40 m	11,00 m	12,00 m
<b>Beam</b>	3,76 m	3,99 m	4,24 m
<b>Displacement</b> light load with deep draft keel	6700 kg	7860 kg	9640 kg
<b>Standard draft</b> cast iron fin keel with elongated bulb and exterior epoxy barrier coat	1,95 m	2,10 m	2,20 m
<b>Standard keel weight</b>	1775 kg	2260 kg	2850 kg
<b>Shoal draft</b> cast iron fin keel with elongated bulb and exterior epoxy barrier coat (double rudders on SO 379)	1,50 m	1,55 m	1,60 m
<b>Shoal keel weight</b>	2039 kg	2470 kg	3150 kg
<b>Swing keel</b> epoxy coated iron keelbox with twin rudders	1,10 - 2,25 m	-	-
<b>Swing keel weight</b>	2313 kg	-	-
<b>CE category</b>	A8 / B9	A9 / B10	A10 / B11
<b>Architect / designer</b>	M. Lombard	P. Briand	P. Briand
<b>Water</b> rotomolded tank located under forward berth with deck fill	200 L	330 L	330 L
<b>Fuel</b> rotomolded tank located under aft berth with deck fill	130 L	200 L	200 L
<b>Holding tank</b> rotomolded tank located in head compartment with valve for overboard discharge via gravity and deck fitting for pump out	80 L	80 L	80 L
<b>Fridge</b> fridge compartment with vertical access	185 L	185 L	185 L
<b>SAILS STANDARD</b>			
Standard mainsail horizontally-cut in high-quality dacron	■ 35 m <sup>2</sup>	■ 43,5 m <sup>2</sup>	■ 49,5 m <sup>2</sup>
Standard headsail 132% horizontally-cut in high-quality dacron	■ 35 m <sup>2</sup>	-	-
Standard headsail 106% horizontally-cut in high-quality dacron	-	■ 32,5 m <sup>2</sup>	■ 41,5 m <sup>2</sup>
Asymmetrical lazy bag in Sunbrella® Taupe fabric with integrated lazy jacks	■	■	■
Performance Headsail 140% in triradial cut mylar/taffeta laminate	-	□ 46,1 m <sup>2</sup>	□ 54,7 m <sup>2</sup>
Performance Headsail 132% in triradial cut mylar/taffeta laminate	□ 35 m <sup>2</sup>	-	-
Performance Headsail 106% in triradial cut mylar/taffeta laminate	-	□ 32,5 m <sup>2</sup>	□ 41,5 m <sup>2</sup>
Self-tacking jib in triradial cut mylar/taffeta laminate	□ 23,3 m <sup>2</sup>	□ 28,2 m <sup>2</sup>	□ 35,3 m <sup>2</sup>
Performance Mainsail in triradial cut mylar/taffeta laminate	□ 35 m <sup>2</sup>	□ 43,5 m <sup>2</sup>	□ 49,5 m <sup>2</sup>
Inmast furling horizontally-cut in high-quality dacron	□ 27,2 m <sup>2</sup>	□ 34,2 m <sup>2</sup>	□ 39,3 m <sup>2</sup>
Code 0 in triradial cut mylar/aramid laminate	□ 55,2 m <sup>2</sup>	□ 70 m <sup>2</sup>	□ 76,4 m <sup>2</sup>
Symmetrical spinnaker optimal size for the boat (sail not available)	99 m <sup>2</sup>	118 m <sup>2</sup>	144 m <sup>2</sup>
Asymmetrical spinnaker optimal size for the boat (sail not available)	90,4 m <sup>2</sup>	109 m <sup>2</sup>	133 m <sup>2</sup>

■ Standard □ Option - Not available

	SO 379	SO 409	SO 439
<b>SAIL HANDLING</b>			
<b>Genoa winches</b> 2 x Harken 40.2 self-tailing winches	■	-	-
<b>Genoa winches</b> 2 x Harken 46.2 self-tailing winches	-	■	■
<b>Genoa winches</b> 2 x Harken 50.2 self-tailing winches	-	□	□
<b>Coachroof winch</b> Harken 35.2 self-tailing winch to port	■	-	-
<b>Coachroof winch</b> Harken 40.2 self-tailing winches to port	-	■	■
<b>Coachroof winch</b> Harken 35.2 self-tailing winch to starboard	*	-	-
<b>Coachroof winch</b> Harken 40.2 self-tailing winches to startboard	-	*	*
<b>Harken "Rewind" electric genoa winches</b> 2 x 46.2 winches that can sheet-in and sheet-out electrically	-	□	□
<b>Electric coachroof winch</b> 1 x Harken 40.2 12v self-tailing in place of standard winch to port	□	PREFERENCE	PREFERENCE
<b>Genoa tracks</b> adjustable Harken lead cars located on coachroof	-	■	■
<b>Genoa tracks</b> adjustable Harken lead cars (located on the side decks)	■	□	□
<b>Ball-bearing track</b> for self-tacking jib	□	□	□
<b>Winch handles</b> 2 x Harken handles with ball-bearing grip	■	■	■
<b>Mainsheet and genoa sheet</b> lead back to helm station with Spinlock jammers	■	■	■
<b>Line jammers</b> Spinlock, on both sides of coachroof with return blocks	■	■	■
<b>Mainsheet traveller</b> roof-mounted traveller with ball-bearing cars, control lines lead aft to cockpit	■	■	■
<b>Spinnaker deck hardware</b> Spinlock jammers	*	*	*
<b>Asymmetrical spinnaker gear</b> halyard, 2 sheets, tack line lead forward on deck, Harken blocks	□	□	□
<b>MAST AND RIGGING</b>			
<b>Classic mast</b> aluminium with double spreaders	■	■	■
<b>Furling mast</b>	□	□	□
<b>Standing rigging</b> discontinuous 1x19 stainless steel wire	■	■	■
<b>Standing rigging</b> discontinuous Dyform® stainless steel wire	▲	▲	▲
<b>Backstay</b> double	■	■	■
<b>Backstay</b> adjustable via mechanical adjuster	□	□	□
<b>Genoa furler</b> with double slot, attachment to stemhead fitting and furling line lead aft to port helm winch	■	■	■
<b>Running rigging</b> polyester topping lift, mainsail halyard, genoa halyard, mainsheet, genoa sheets	■	■	■
<b>Running rigging</b> Dyneema® mainsail halyard, genoa halyard, mainsheet, genoa sheets	▲	▲	▲
<b>Rigid boom vang</b> with gas cylinder and control line lead aft to the cockpit	*	*	■
<b>COCKPIT</b>			
<b>Wood inlay</b> on cockpit bench seating	■	■	■
<b>Wood cockpit</b> floor inlay	□	□	□
<b>Wood side decks</b> hand-laid wooden side decks	□	□	□
<b>Cockpit lockers</b> 1 locker under bench seat and 1 lazarette locker under the port helm seat	■	-	-
<b>Cockpit lockers</b> 2 lockers under bench seats and 1 lazarette locker under the port helm seat for technical access to steering system	-	■	■
<b>Liferaft locker</b> located in dedicated compartment between helm seats	90x59x34 cm	90x55x34 cm	90x54x34 cm
<b>Storage compartment for companionway door</b> in forward section of liferaft locker	-	■	■
<b>Storage compartment for companionway door</b> in cockpit locker	■	-	-
<b>Line lockers</b> under helm seats for lines from the primary winches, location for deck fills, cockpit speakers and shorepower inlet	-	■	■
<b>Fold down swim platform</b> with telescopic swim ladder	■	■	■
<b>Cockpit table</b> folding table with storage, cup holders, stainless steel handrail, courtesy lighting, 12v plug	PREFERENCE	■	■
<b>Solid wood cockpit table</b> with all the same functions of the standard table, but with wooden leaves	□	□	□
<b>Gas locker</b> located in lazarette locker under starboard helm seat, room for 2 gas bottles with connection to gas system and cut-off valve under stove in the galley	■	■	■
<b>Wheels</b> 2 leather-covered steering wheels with compasses at each steering position and stainless steel grabrails	■	■	■
<b>Black, composite steering wheels</b>	□	□	□
<b>Emergency tiller</b> delivered with the boat, chrome fitting in cockpit floor	■	■	■
<b>Steering wheel covers</b> Sunbrella® Taupe with zips for easy removal	□	□	□
<b>Cockpit table cover</b> Sunbrella® Taupe (with or without GPS)	□	□	□
<b>Instrumentation</b> dedicated space for instruments within easy reach of helm positions, room for GPS chartplotter mounted at aft end of cockpit table with easy viewing from each helm	■	■	■
<b>Engine controls</b> throttle and engine control panel mounted at starboard helm, engine panel includes, RPM gauge, warning lights, ignition	■	■	■
<b>Cockpit shower</b> retractable hot and cold water shower with tap	PREFERENCE	PREMIERE	■
<b>Cockpit cushions</b> Sunbrella® Taupe cushions for seating area with attachment clips	□	□	□
<b>Cockpit bimini</b> Sunbrella® Taupe with stainless steel bows, retractable with storage cover	□	□	□
<b>Cockpit sprayhood</b> wide Sunbrella® Taupe with vinyl windscreen with zip-out middle window for ventilation, retractable	□	□	□
<b>DECK HARDWARE</b>			
<b>Anchor locker</b> room for anchor and tackle, integrated windlass area, holder for windlass handle	■	■	■
<b>Bow pulpit</b> open, stainless steel	■	■	■
<b>Stern pulpits</b> stainless steel with flag holder, buoy bracket	■	■	■
<b>Outboard engine bracket</b> mounted on stern pulpit	□	□	□
<b>Electric windlass</b> Quick 1000W combination rope and chain, vertical-mounted in the anchor locker, hand-held remote, manual handle	□	PREMIERE	■
<b>Windlass control</b> second windlass control mounted in cockpit with chain counter for easy, short-handed anchoring	-	□	□
<b>Anchor roller</b> single stainless steel fitting	■	■	■
<b>Anchor roller</b> double stainless steel fitting with tack point reinforcement	PREMIERE	PREMIERE	PREMIERE
<b>Bow platform with telescopic</b> , stainless steel access ladder	□	□	□
<b>Aft windlass</b> with folding anchor roller, 10 kg Delta anchor and 50m of line	□	□	□
<b>Anchoring kit</b> Delta anchor 16kg with 28 meters of 10mm chain and 40 meters of 18mm line	□	-	-
<b>Anchoring kit</b> Delta anchor 20kg with 32 meters of 10mm chain and 45 meters of 18mm line	-	□	□
<b>Lifelines</b> double level of stainless steel lifelines, stainless steel stanchions	■	■	■
<b>Lifeline gates</b> opening gates on each side	PREFERENCE	PREFERENCE	PREFERENCE
<b>Toerail</b> and drainage for side deck	■	■	■
<b>Wood rubrail</b> for hull protection	□	□	□
<b>Cleats</b> 4 x stainless steel mooring cleats forward and aft	■	■	■
<b>Midship cleats</b> 2 x stainless steel cleats placed on side deck	PREMIERE	PREMIERE	PREMIERE
<b>Mooring kit</b> fenders and docklines	□	□	□
<b>Handrails</b> sculpted, long wood handrails on coachroof for secure movement forward	■	■	■

▲ Performance package \* Navigation package ■ Standard □ Option - Not available

**TECHNICAL FEATURES AND OPTIONS**

**CONSTRUCTION**

<b>Deck</b> Prisma Process® injected deck, ISO gelcoat surface, discontinuous balsa block coring	■	■	■
<b>Hull</b> solid, hand-laid fibreglass, ISO gelcoat surface, protective barrier coat	■	■	■
<b>Structure</b> inner fibreglass grid, high-load zones cut out, drainage system through structure	■	-	-
<b>Structure</b> 3 <sup>rd</sup> generation inner fibreglass grid, high-load zones cut out and relaminated, drainage system through structure, special emergency repair zone in keel area	-	■	■

**LIGHTING**

LED navigation lights and anchor light	PREMIERE	PREMIERE	PREMIERE
Flush mounted LED chromed brass ceiling lights in saloon, head compartments and cabins	■	■	■
Leather-wrapped LED reading lights in forward cabin and aft cabin (s)	■	■	■
Task lighting under side decks in saloon and head compartments	■	■	■
Task LED lighting under furniture in saloon	-	PREFERENCE	PREFERENCE
Gooseneck chart light mounted at nav station	■	■	■

**ELECTRICAL**

12 v alternator output	80 A	80 A	80 A
Charge distributor/isolator	■	■	■
Engine start battery capacity, batteries located under aft berths	80 Ah	110 Ah	110 Ah
Domestic battery bank capacity, batteries located under aft berths	80 Ah	230 Ah	230 Ah
2 x Extra 80 Ah domestic battery	PREMIERE	-	-
2 x Extra 115 Ah domestic battery	-	PREMIERE	PREMIERE
Positive battery switch for engine and domestic bank and general cut-off switch mounted on panel in aft cabin	■	■	■
Shorepower 220 v inlet with differential breaker, one 220v plug per cabin, 220v plug in galley, saloon and nav station	PREMIERE	PREMIERE	■
40 A battery charger, multi-phase	PREMIERE	-	-
60 A battery charger, multi-phase	-	PREMIERE	PREMIERE
Inverter 2000 W12v/220v	-	-	□
Electrical panel with 12v breakers, 220v breakers, 12v ammeter, 12v consumption meter, 12v charging meter	■	■	■
<b>Solar panels</b> on coachroof 2 x 45W with charging relay	□	□	□
12 v plug per cabin and at nav station	■	■	■
220 v stainless steel microwave, installed in galley cabinet	□	□	□

**PLUMBING**

Hot and cold pressurised water distributed through-out the boat via semi-rigid hose	■	■	■
"Heavy-duty" water pump and accumulator tank for consistent water pressure	■	■	■
40 litre hot water tank that is connected to engine heat exchanger and to 230 v electrical system	■	■	■
Chromed shower faucets in washrooms	■	■	■
Electric bilge pump on float switch and manual dual-action pump in the cockpit	■	■	■
Extra fresh water tank 130L located under aft starboard berth	□	-	-
Extra fresh water tank 200L located under aft starboard berth	-	□	□
Digital water level display	■	■	■
Shower sumps equipped with individual electric pumps with filters and on-off switches	■	■	■
Large manual pump marine toilets	■	■	■
Electric Quiet-Flush toilets in place of standard, available for each head compartment	-	□	□
80 litre holding tank with gravity drain and deck fitting for forward starboard head (port aft head equipped with standard 80L tank)	-	□	□

**ENGINE AND STEERING**

Yanmar 3YM30 <b>29 HP</b> , 21Kw <b>Sail drive</b>	■	-	-
Yanmar 3JH5-CE <b>40 HP</b> , 29.4 Kw <b>Sail Drive</b>	-	■	-
Yanmar 4JH5-CE <b>54 HP</b> , 39.6 Kw <b>Sail Drive</b>	-	-	■
Compatible 360 Docking	-	■ POD 60	■ POD 90
Fully soundproofed engine compartment with engine access behind stairwell and from aft cabin	■	■	■
Fuel / water separator	■	■	■
Built-in muffler, forced air ventilation and stainless steel exhaust fitting aft	■	■	■
Fixed 3-blade propeller	■	■	■
Folding propeller, 3-blade, Flex-o-Fold	▲	▲	▲
Bow thruster 4.3hp/3.2kw installed in a tunnel with dedicated batteries	□	-	-
Bow thruster 9.5hp/7.1kw installed in a tunnel with dedicated batteries	-	□	□
Fibreglass rudder	■	■	■

**COMFORT FEATURES AND OPTIONS**

<b>Fixed hull ports</b>	4	8	8
<b>Opening cockpit and roof ports</b>	2	2	2
<b>Lateral fixed windows</b>	6	6	6
<b>Opening ports integrated into lateral windows</b>	2	2	2
<b>Opening deck hatches</b>	4	6	7
<b>Combination shade/insect screens</b> for deck hatches	PREMIERE	PREMIERE	PREMIERE
<b>Simrad audio docking station SonicHub</b>	PREFERENCE	PREFERENCE	PREMIERE
<b>BOSE® 2.1 speaker system</b> ACCOUSTIMASS 3, speakers with base unit in saloon	-	-	PREMIERE
<b>Saloon stereo speakers</b> x 2	PREFERENCE	PREFERENCE	-
<b>Cockpit speakers</b> x 2, watertight	PREFERENCE	PREFERENCE	PREMIERE
<b>LED TV 22"</b> mounted on an articulating arm on main saloon bulkhead to port of the forward cabin doorway and DVD player	-	□	□
<b>Amplified antenna for TV</b> for masthead mounting	-	□	□
<b>Air Conditioning</b> 220v 16000 BTU 1 unit installed under saloon seating, vents in saloon, forward and aft cabins control panel and thermostat (for 2 cabin version only)	□	-	-
<b>Air Conditioning</b> 220 v 24000 BTU 2 units installed under saloon seating and in stern, vents in saloon, head compartments and forward and aft cabins control panel and thermostat	-	□	-
<b>Air Conditioning</b> 220 v 32000 BTU 1 unit installed in the stern, 1 unit installed in the saloon and 1 unit installed in the forward cabin, vents in saloon, head compartments and forward and aft cabins control panel and thermostat	-	-	□
<b>Forced air heating</b> 1 unit 5500 BTU Webasto® diesel heater installed in stern, vents in aft cabin, saloon and head compartments	□	□	□
<b>Forced air heating</b> 1 unit 5500 BTU + 1 unit 2000 BTU Webasto® diesel heater installed in stern, vents in aft cabin, saloon and head compartments (only for the 4 cabins version)	-	-	□

▲ Performance package \* Navigation package ■ Standard □ Option - Not available

	SO 379		SO 409			SO 439			
	2CI/H	3CI/H	2CI/H	3CI/H	3CI/2H	2CI/2H	2CI/2H	3CI/2H	4CI/2H
<b>INTERIOR FEATURES AND OPTIONS</b>									
<b>WOOD</b>									
Fine Teak® interior laminated panels with solid wood trim around galley, companionway and cabinetry, finished in satin UV stabilised varnish	■	■	■	■	■	■	■	■	■
Light oak laminate floorboards	■	■	■	■	■	■	■	■	■
Laminate floorboards with light-coloured stripes and varnished edges	-	-	□	□	□	□	□	□	□
<b>FORWARD CABIN</b>									
Forward owner's cabin with central berth and storage forward of the berth	■	■	■	■	■	■	■	■	-
Double berth, with wood trim, high-density foam mattress	2,07 x 1,85 m	2,07 x 1,85 m	2,10 x 2,00 m	2,10 x 2,00 m	2,10 x 2,00 m	2,10 x 2,00 m	2,14 x 2,00 m	2,14 x 2,00 m	-
Deep cabinet with shelves and hanging rod	2	2	2	2	1	1	1	1	-
White vinyl lining on hull with lateral wood shelf	■	■	■	■	■	■	■	■	-
Desk/vanity with leatherette lining and fold-up mirror, reading light and chair with backrest	-	-	□	□	-	-	■	■	-
Private forward head compartment with sink, clothes hook, mirror, towel holder, toilet paper holder, cabinet above sink and electric drainage pump	-	-	-	-	■	■	■	■	-
Plexiglass folding door for separate shower compartment	-	-	-	-	-	-	PREMIERE	PREMIERE	-
Double forward cabins with 2 single bunk berths and forward V-berth	-	-	-	-	-	-	-	-	■
Double berth with wood trim, high-density foam mattress	-	-	-	-	-	-	-	-	2,14 x 2,00 m
Twin single bunks in separate cabin with storage locker	-	-	-	-	-	-	-	-	2,11 x 0,70 m
Deep cabinet with shelves and hanging rod	-	-	-	-	-	-	-	-	■
White vinyl lining on hull with lateral wood shelf	-	-	-	-	-	-	-	-	■
Forward head compartment with sink, clothes hook, mirror, towel holder, toilet paper holder, cabinet above sink and electric drainage pump	-	-	-	-	-	-	-	-	■
Plexiglass folding door for separate shower compartment	-	-	-	-	-	-	-	-	PREMIERE
<b>AFT CABIN</b>									
Aft owner's cabin with access to starboard and large berth	■	-	■	-	-	■	■	-	-
Double berth with high-density foam mattress	2,02 m x 1,94 m	-	2,00 m x 1,78 m	-	-	2,00 m x 1,78 m	2,00 m x 1,85 m	-	-
Deep cabinet with shelves and hanging rod	■	-	■	-	-	■	■	-	-
White vinyl lining on hull with lateral wood shelf	■	-	■	-	-	■	■	-	-
Large head compartment aft with sink, clothes hook, mirror, towel holder, toilet paper holder, cabinet above sink and electric drainage pump	■	-	■	-	-	■	■	-	-
Plexiglass folding door for separate shower compartment	PREMIERE	-	PREMIERE	-	-	PREMIERE	PREMIERE	-	-
Stainless steel hanging bar	-	■	■	■	■	■	■	-	-
Locker and technical compartment with access through head compartment, storage baskets, lighting and lots of extra space for storage under the exterior cockpit locker	■	-	■	-	-	■	■	-	-
<b>Twin aft cabins</b>									
Double berths, high-density foam	-	2,02 m x 1,58 m	-	2,00 m x 1,57 m	2,00 m x 1,57 m	-	-	2,00 m x 1,60 m	2,00 m x 1,60 m
Deep cabinet with shelves and hanging rod per cabin	-	■	-	■	■	-	-	■	■
White vinyl lining on hull with lateral wood shelf	-	■	-	■	■	-	-	■	■
Head compartment aft with sink, separate shower, clothes hook, mirror, towel holder, toilet paper holder, cabinet above sink, electric drainage pump, access from saloon	-	■	-	■	■	-	-	■	■
Stainless steel hanging bar	-	■	■	■	■	■	■	-	-
Plexiglass folding door for separate shower compartment	-	PREMIERE	-	PREMIERE	PREMIERE	-	-	PREMIERE	PREMIERE
<b>NAVIGATION STATION</b>									
Navigation station full-function with general electrical panel, room for the latest in GPS chartplotters and bookshelf	■	■	■	■	■	■	■	■	■
Central nav desk with leatherette lining and interior storage	-	■	■	■	■	■	■	■	■
Hanging locker	■	-	-	-	-	-	-	-	-
<b>SALOON</b>									
Saloon with U-shaped seating area to starboard, wrap-around cushions and storage under seating area	■	■	■	■	■	■	■	■	■
Saloon dining table with wood fiddles, removable pedestal legs	■	■	■	■	■	■	■	■	■
Luxury saloon table with folding leaves and central bar cabinet	□	□	-	-	-	-	-	-	-
Luxury salon table with central bar unit, folding top, and sliding tracks to transform into double berth	-	-	PREFERENCE	PREFERENCE	PREFERENCE	PREFERENCE	PREFERENCE	PREFERENCE	PREFERENCE
Saloon berth conversion kit	□	□	□	□	□	□	□	□	□
Storage cabinets along hull sides	■	■	■	■	■	■	■	■	■
Lounge seating to port with plush cushions and upper storage cabinets	■	■	■	■	■	■	■	■	■
2 removable stools for saloon with tie-down kit	-	-	□	□	□	□	□	□	□
Companionway with wood steps and non-slip strips	■	■	■	■	■	■	■	■	■
Plexiglass companionway door with dedicated storage location	■	■	■	■	■	■	■	■	■
<b>GALLEY</b>									
Galley with double stainless steel sinks with covers, solid countertops, chrome plumbing fittings, storage cabinets and drawers	■	■	■	■	■	■	■	■	■
L-galley to port with glass separator between galley counter and seating area	■	■	■	■	■	■	■	■	■
Storage compartment for books and magazines built into the galley façade	■	■	■	■	■	■	■	■	■
Gimballed 2-burner stove with oven with stainless steel protection bar	■	■	■	■	■	■	■	■	■
Luxury 2-burner stove with black finish, wood handle, stainless steel oven/broiler	PREMIERE	PREMIERE	PREMIERE	PREMIERE	PREMIERE	PREMIERE	PREMIERE	PREMIERE	PREMIERE
Single fridge box with freezer area, wire baskets, 12v refrigeration and integrated compressor	■	■	■	■	■	■	■	■	■
Vertical fridge door	PREFERENCE	PREFERENCE	PREFERENCE	PREFERENCE	PREFERENCE	PREFERENCE	PREFERENCE	PREFERENCE	PREFERENCE
<b>HEAD ROOM</b>									
Forward cabin	1,80 / 1,84 m		1,84 m			1,88 m			
Aft cabin (s)	1,90 m		1,95 m			1,97 m			
Companionway	1,93 m		1,94 m			1,97 m			
Saloon	1,81 / 1,92 m		1,92 m			1,96 m			
Galley	1,88 m		1,91 m			1,95 m			



JEANNEAU

Ets JEANNEAU - BP 529 - 85505 LES HERBIERS CEDEX - FRANCE - TEL +33 (0)2 51 64 20 20 - FAX +33 (0)2 51 67 37 65

INTERNET : http://www.jeanneau.com

■ Standard □ Option - Not available C = Cabins H = Head

